

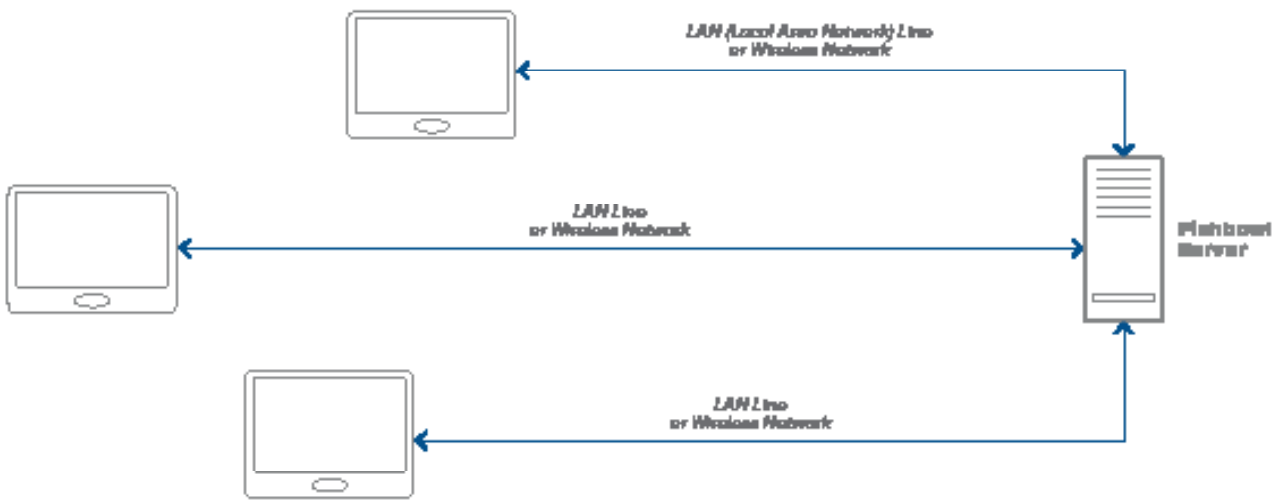
Introduction

Setting up your hardware is an important part of getting Fishbowl's core products functioning efficiently. Depending on the number of users and the complexity of your system, Fishbowl client and server software may reside on one or multiple computers. These three scenarios illustrate different ways Fishbowl may be configured to best serve your needs.

Scenario 1

LOCAL NETWORK

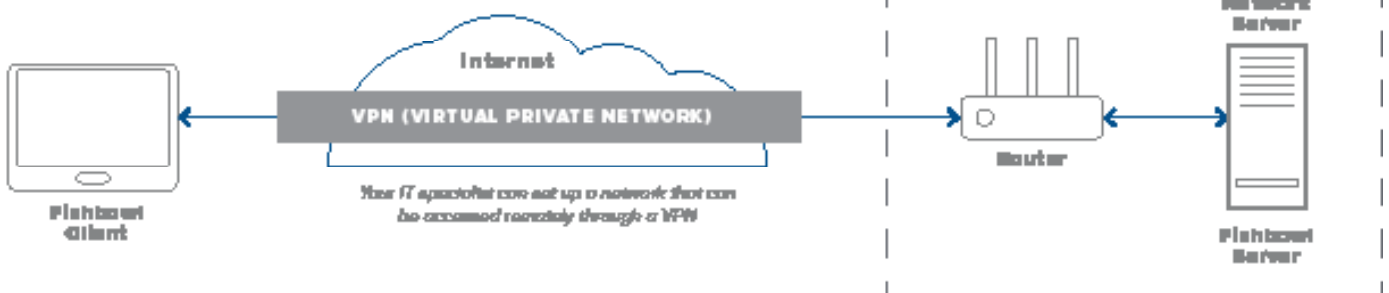
Multiple User



Scenario 2

VPN

Virtual Private Network
 Recommended for Remote Connections



Scenario 3

PUBLIC IP

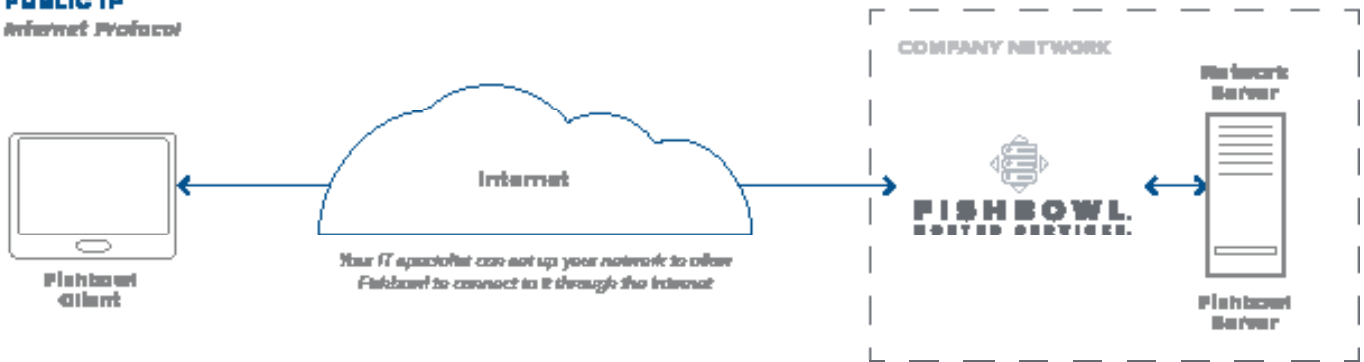
Internet Protocol



Scenario 4

PUBLIC IP

Internet Protocol



Recommendations—Fishbowl recommends that QuickBooks® and our core products **Fishbowl Manufacturing®** or **Fishbowl Warehouse®** run together on their own dedicated computer to avoid RAM sharing issues with other applications. Below are tables for small, medium, and large database hardware requirements as well as recommendations for **Fishbowl Go™** on the next page. The Supported Operating Systems table on the next page shows all of the operating systems currently supported by Fishbowl’s core products.

FISHBOWL HARDWARE RECOMMENDATIONS						
DATABASE SIZE	SMALL DATABASE		MEDIUM DATABASE		LARGE DATABASE	
	0–100 ORDERS PER DAY		100–1,000 ORDERS PER DAY		1,000+ ORDERS PER DAY	
RECOMMENDED HARDWARE	SERVER	<ul style="list-style-type: none"> • 2.3 GHz Processor (Quad Core) • 12 GB RAM 	SERVER	<ul style="list-style-type: none"> • 3.4 GHz Processor • 16 GB RAM 	SERVER	<ul style="list-style-type: none"> • 4 GHz Processor • 32 GB RAM
	CLIENT	<ul style="list-style-type: none"> • 2.3 GHz Processor • 8 GB RAM 	CLIENT	<ul style="list-style-type: none"> • 3 GHz Processor • 8 GB RAM 	CLIENT	<ul style="list-style-type: none"> • 3.4 GHz Processor • 16 GB RAM
MINIMUM RECOMMENDED HARDWARE	SERVER	<ul style="list-style-type: none"> • 2.3 GHz Processor (Multi Core) • 8 GB RAM 	SERVER	<ul style="list-style-type: none"> • 3.4 GHz Processor (Quad Core Plus) • 8 GB RAM 	SERVER	<ul style="list-style-type: none"> • 3.4 GHz Processor (Quad Core Plus) • 16 GB RAM
	CLIENT	<ul style="list-style-type: none"> • 2.3 GHz Processor • 4 GB RAM 	CLIENT	<ul style="list-style-type: none"> • 3 GHz Processor • 6 GB RAM 	CLIENT	<ul style="list-style-type: none"> • 3 GHz Processor • 8 GB RAM

SUPPORTED OPERATING SYSTEMS	
OPERATING SYSTEM	SUPPORTED
Windows 11 Pro & Enterprise	Yes (Home edition is not supported)
Windows 10 Pro & Enterprise	Yes (Home edition is not supported)
Windows Server 2022	Yes (Essentials edition is not supported)
Windows Server 2019	Yes (Essentials edition is not supported)
Windows Server 2016	Yes (Essentials edition is not supported)
Windows Server 2012 R2	Yes (Essentials edition is not supported)
Linux, Ubuntu, etc.*	Yes See Fishbowl for Linux* (Limited Support)
Mac OS 10.12 or newer**	Yes See Fishbowl for Mac** (Limited Support)

- Fishbowl Server
 1. Exchange runs better if there isn't anything else running at the same time. It is recommended that the Fishbowl/QuickBooks server run on a different computer than the Exchange server.
 2. QuickBooks embeds Internet Explorer and uses many of its functions for viewing and for third party application connections (such as Fishbowl). QuickBooks Support recommends you set your settings to:
 - Internet zone: Medium
 - Local intranet zone: Medium-low

*https://www.fishbowlinventory.com/wiki/Fishbowl_for_Linux
 ** https://www.fishbowlinventory.com/wiki/Fishbowl_for_Mac

FISHBOWL GO STANDARD RECOMMENDATIONS**MOBILE
DEVICE**

- **iOS 11.0 or later. Available on an iPhone, iPad and iPod Touch**
- **Android 4.4 or newer (Kitkat)**
- **Designed for 4.7 in. High Definition (1280 × 720) or larger**
- **CPU 1.7 GHz multi-core**
- **Memory 2 GB RAM/8GB Flash**

NOTES

1. Fishbowl recommends that you install and run both QuickBooks and Fishbowl Manufacturing or Fishbowl Warehouse on your own server (does not apply to Small Database).
2. The supported operating systems may change without notice. To ensure you know the most current supported systems, please visit:
www.fishbowlinventory.com/wiki/Supported_Operating_Systems
3. Contact Fishbowl for hardware requirements if database size is significantly larger than specifications listed in the Large Database Table.

If you have questions, talk to one of our Inventory Software Specialists. They are highly trained professionals who will be glad to assist you in determining your manufacturing and warehouse management hardware needs.

To see **Fishbowl Manufacturing** or **Fishbowl Warehouse** software in action, schedule an interactive one-on-one demo session. You connect to the desktop of a trained Inventory Software Specialist via GoToMeeting and get a personalized explanation of the product, its features, and how it will work within your business. The demo can last anywhere from 10 minutes to 1 hour.

Fishbowl products are powerful solutions that will save you money and time, allowing you to compete at a higher level and significantly grow your business.

**Sign up for a personalized product overview by calling 1.800.774.7085 ext. 1
or visit our website at www.fishbowlinventory.com**